

**\_HOMEWORK\_**

**EXERCISE N°01**

The floor system of a gymnasium consists of a 130 mm-thick concrete slab resting on four steel beams ( $A = 9100 \text{ mm}^2$ ) that, in turn, are supported by two steel girders ( $A = 25600 \text{ mm}^2$ ), as shown in Fig. 1.

Required:

Determine the dead loads acting on:

- The beams BF and AE
- The girder AD

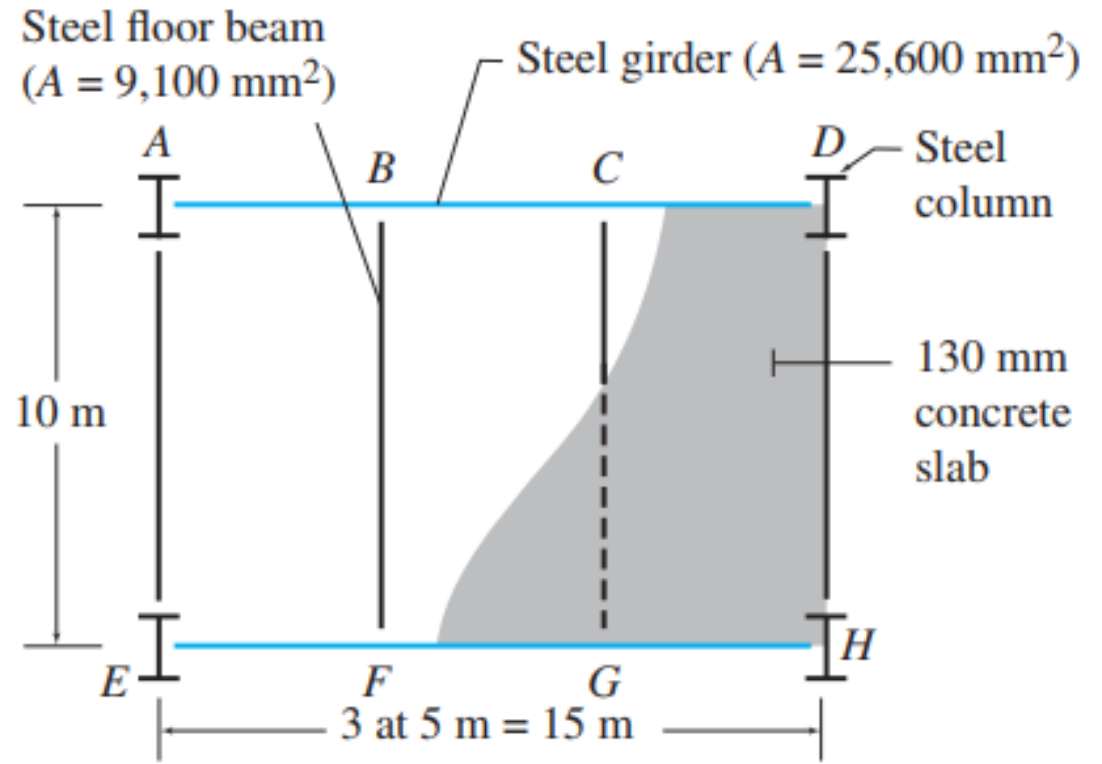


Fig.1